

KBL122000 12V 200Ah



The KAISE LONG LIFE Series 10 years has been designed for different applications, such as UPS, electric and telecommunications applications that require a long useful life.

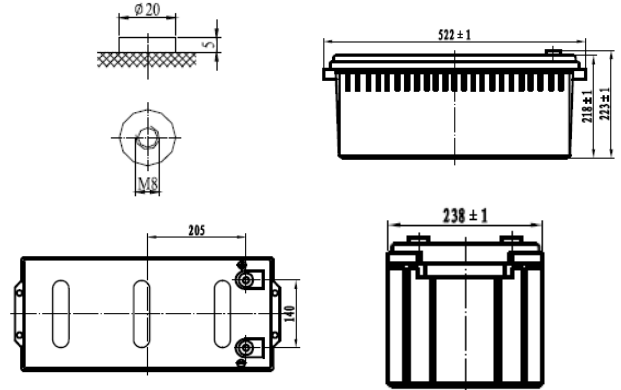
Performance Characteristics

Nominal Voltage	12V	
Dimensions	Length (mm / inch)	522 / 20.55
	Width (mm / inch)	238 / 9.37
	Height (mm / inch)	218 / 8.58
	Total Height (mm / inch)	223 / 8.78
Approx. Weight (Kg / lbs)	65.0 / 143	
Design Life	10 years	
Terminal	M8	
Container Material	ABS	
Rated Capacity	207Ah / 20.7A	(10hr, 1.70V / cell, 25°C / 77°F)
	177Ah / 35.4A	(5hr, 1.70V / cell, 25°C / 77°F)
	123Ah / 12.3A	(1hr, 1.70V / cell, 25°C / 77°F)
Max. Discharge Current	1000A (5s)	
Internal Resistance	Approx 3.5 mΩ	
Operating Temp. Range	Discharge : -20 ~ 60°C (-4 ~ 140°F)	
	Charge : -10 ~ 60°C (14 ~ 140°F)	
	Storage : -20 ~ 60°C (-4 ~ 140°F)	
Nominal Operating Temp. Range	25 ± 3°C (77 ± 5°F)	
Cycle Use	Initial Charging Current less than 40A.	
	Voltage: 2.35VPC ~ 2.40VPC at 25°C (77°F)	
	Temp. Coefficient: -30mV/°C	
Standby Use	Initial Charging Current less than 40A.	
	2.25VPC~2.30VPC at 25° C (77°F)	
	Temp. Coefficient: -20mV/°C	
Capacity affected by	40°C (104°F)	103%
	25°C (77°F)	100%
	0°C (32°F)	86%
Self Discharge	Fully charged Kaise Long Life Series batteries may be stored for up to 6 months at 25°C (77°F) and then a freshening charge is required. For higher temperatures the time interval will be shorter.	

Constant Current Discharge (Amperes) at 77°F (25°C)

Volts/cell	15min	30min	1h	3h	5h	10h	20h
1.80V	250	168	117	45.7	33.9	20.0	10.50
1.75V	269	175	120	47.1	34.7	20.4	10.55
1.70V	288	181	123	48.2	35.4	20.7	10.60
1.65V	308	188	126	49.1	36.2	20.9	10.65
1.60V	327	196	129	50.3	36.9	21.1	10.70

Dimensions and Terminal (Unit: mm (inches))



Applications

- UPS
- Telecommunications equipment
- Solar energy systems
- Cable TV
- Power station
- Marine equipment
- Military equipment
- Emergency power systems
- Railway systems

Certifications

ISO 9001:2008 ISO 14001:2008



Discharge Current vs. Discharge Voltage

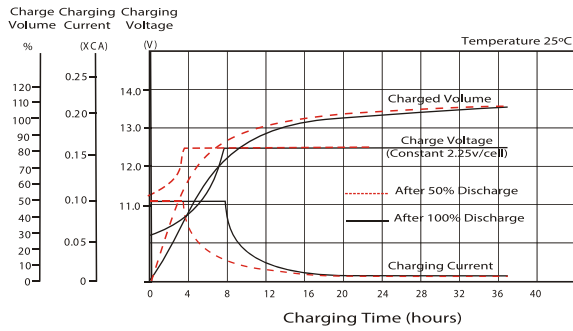
Final discharge voltage V/CELL	1.8	1.75	1.7	1.6
Discharge current (A)	I ≤ 0.1CA	0.25CA ≥ I > 0.1CA	0.55CA ≥ I > 0.25CA	I > 0.55CA

Constant Power Discharge (Watts per cell) at 77°F (25°C)

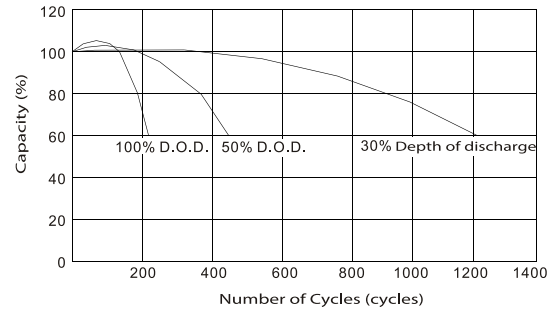
Volts/cell	15min	30min	45min	1h	2h	3h	5h
1.80V	482	319	247	228	124	92.4	68.1
1.75V	512	332	252	233	128	93.4	68.6
1.70V	530	347	257	238	131	94.8	69.1
1.65V	547	360	262	243	134	96.1	69.7
1.60V	566	374	268	248	137	97.4	70.3

(Note) The above characteristics data are average values obtained within three charge/discharge cycles not the minimum values.

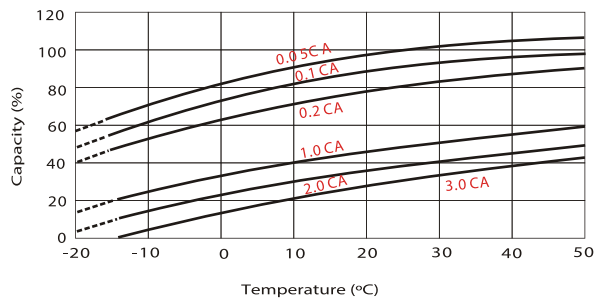
Charging Characteristics (float use)



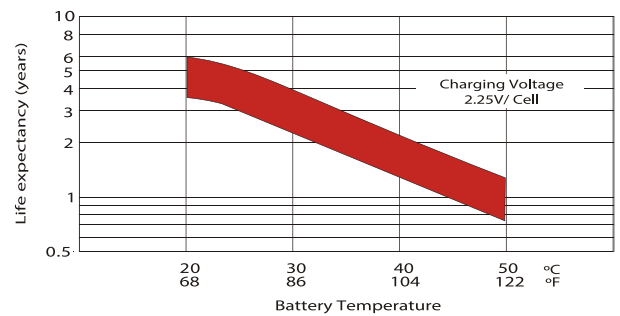
Cycle Life in Relation to Depth of Discharge



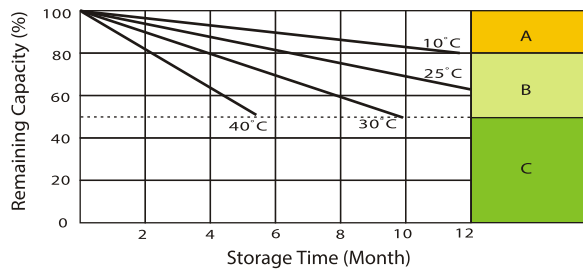
Temperature Effects in Relation to Battery Capacity



Effect of Temperature on Long Term Float Life



Self Discharge Characteristics



- A** No supplementary charge required (carry out supplementary charge before use if 100% capacity is required)
- B** Supplementary charge required before use. Optional charging way a below:
 1. Charged for above 3 days at limited current 0.25CA and constant voltage 2.25V / cell.
 2. Charged for above 20 hours limited current 0.25CA and constant voltage 2.45V / cell.
 3. Charged for 8-10 hours at limited current 0.05 CA.
- C** Supplementary charge often fail to recover the capacity. The battery should never be left standing till this is reached.

IMPORTANT NOTE: The specifications presented herein are subject to revision without notice.

